

HL2-DS SERIES

RE-VERBER-RAY®

by Detroit Radiant Products Company

Designer Series

GAS-FIRED, DECORATIVE, TWO-STAGE, LOW INTENSITY PATIO HEATER

Specifically designed for comfort and reliability. Ideal for outdoor driving ranges and restaurant patios.

The HL2-DS Series is a top-of-the-line patio heater with an aesthetically pleasing, modern design featuring our patented two-stage technology. This Gas Fired Low Intensity Patio Heater was manufactured specifically with the outdoor market in mind. Not only does this heater deliver an even heat pattern throughout its 16' span, but it also comes equipped with a decorative, modular grille. This is the preferred heater for outdoor driving ranges.

BENEFITS OF HEATING WITH INFRARED

- Superior Comfort
- Reduced Energy Consumption
- Flexibility
- Durability
- Radiant Efficiency

PRODUCT FEATURES

- Patented two-stage operation
- Pre- and post-purge controls
- Self-diagnostic LED, microprocessor based circuitry
- 28 linear feet of radiant tube
- Fitted stainless steel air intake collar with bird screen
- Reliable hot surface ignition
- Stainless steel flexible gas connector included
- 24 volt controls and power cord standard
- Highly decorative housing with modular grille
- Hanging Kit included

HL2-DS SERIES

GAS-FIRED, DECORATIVE, TWO-STAGE, LOW INTENSITY PATIO HEATER

PRODUCT SPECIFICATIONS



Input Range:
65,000 to 100,000 BTU/h



Radiant Tubes:
.95 Emissive Black Coated Aluminized Steel



Length:
16'-4"



Certification:
CSA, Outdoor



Gas Type:
Natural (3.5" W.C.) or Propane (10.0" W.C.)



Limited Warranty:
3 (Components) - 5 (Tubes) - 10 (Burner)



Combustion Chamber:
4" Aluminized Steel



Electrical:
120V, 60 Hz. 24V Control
Amps: 4.8 Starting, 1.1 Running

AVAILABLE HL2-DS MODELS & CLEARANCES

MODEL #	GAS ¹	BTU/h HIGH FIRE	BTU/h LOW FIRE	LENGTH	WEIGHT	MOUNTING HEIGHTS ²	CLEARANCES TO COMBUSTIBLES (INCHES)	MOUNTING ANGLE	SIDE	TOP	BELOW
HL2-DS-30-65	Nat or Prop	65,000	50,000	16'-4"	190 lbs	9' to 15'		0°	25"	6"	60"
HL2-DS-30-80	Nat or Prop	80,000	52,000	16'-4"	190 lbs	9' to 15'		0°	25"	6"	60"
HL2-DS-30-100	Nat or Prop	100,000	65,000	16'-4"	190 lbs	9' to 15'		0°	25"	6"	77"

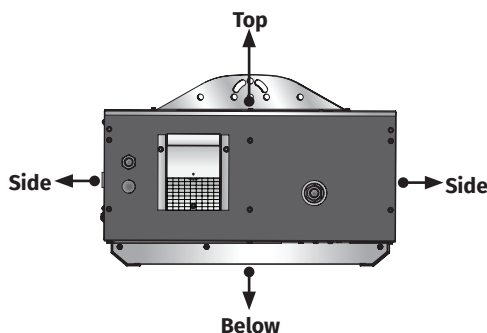
¹ Specify natural (Nat) or propane (Prop) gas.

² Factory recommended mounting heights are provided as a guideline. Actual conditions may dictate variations from the above data.

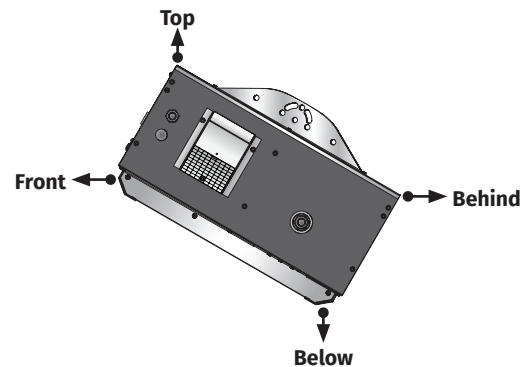
³ Refer to HL2-DS Manual for additional information about clearances for 30° Mounting Angle.

Always maintain the published clearances to combustibles. Not for residential use. Clearances published in HL2-DS Series manual and on warning label supersede data shown on this brochure.

0° Mounting Angle



30° Mounting Angle



DETROIT RADIANT
PRODUCTS COMPANY

21400 Hoover Road, Warren, Michigan 48089 USA
+1.586.756.0950 | sales@drp-co.com

www.REVERBERRY.com



Form No. LBHL2DS_X-X (GE)

