

DETROIT RADIANT

RE-VERBER-RAY

INFRARED RADIANT HEATERS®

PRODUCTS COMPANY

SERIES



MW SERIES

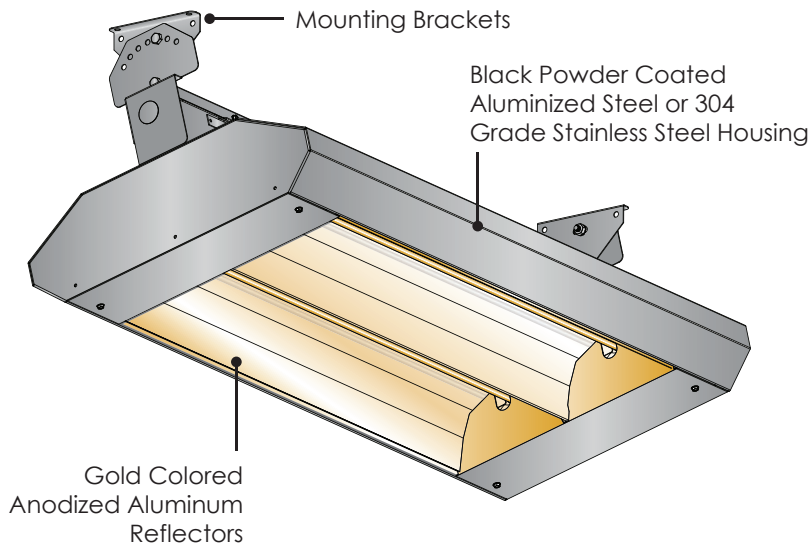
MEDIUM WAVE ELECTRIC INFRARED SPACE HEATERS

MW Series heaters are unique in their ability to produce infrared heat. The source of this energy comes from medium wave electric lamps encased in an aesthetically pleasing enclosure. Available in an assortment of sizes, casing and colors, this heater offers both choices and solutions for your application. Operational benefits include a highly efficient energy transfer, lower mounting heights, and heat energy.

ELECTRIC INFRARED



PRODUCT FEATURES



- Compact, aesthetically pleasing construction.
- Heater housing available in either black powder coated aluminized steel or brushed 304 grade stainless steel.
- Gold colored anodized aluminum reflectors reduces visible light glare.
- Single, double or triple construction models.
- From 750 to 9,000 watt output.
- ETL Certified for indoor or outdoor use.

TYPICAL APPLICATIONS

The MW Series electric heater is ideal for a multitude of applications providing spot, total, or comfort heat with visible light.

- Restaurant Patios
- Parking Garages
- Valet Waiting Areas
- Airport Entrances
- Hospital Entrances
- Vestibules
- Smoking Areas
- Outdoor Waiting Areas
- And more!

DETROIT RADIANT PRODUCTS CO.

21400 Hoover Rd.
Warren, MI 48089-3162

Phone: (586) 756-0950

Toll Free: 1-800-222-1100

Fax: (586) 756-2626

E-mail: sales@drp-co.com

facebook.com/reverberray

linkedin.com/company/2169708



VISIT REVERBERRY.COM FOR:

- Product Literature
- Aftermarket Parts Support
- Distributor Locator
- CAD & Revit Drawing Library
- Design & Application Guidelines
- Informative Videos, and More!



Learn more at youtube.com/reverberray



PRODUCT SPECIFICATIONS

Electrical Consumption:	From 750 to 9,000 Watts
Equivalent BTU:	2,559 to 30,709 total BTU/h
Voltage:	From 120 to 575 VAC; 1Ph or 3 Ph
Certification:	ETL Listed
Limited Warranty:	All Components 1-Year
Lamp Elements:	Quartz
Outdoor Approval:	Standard

HEATER CONSTRUCTION

- Black powder-coat aluminized steel housing.
- Optional stainless steel housing for added durability and corrosion resistance.

MOUNTING

- 0° to 45° adjustable brackets included.

REFLECTORS

- Gold colored anodized aluminum reflectors reduces visible light glare.
- Wide, symmetrical design.

LAMP ELEMENTS

- Coiled tungsten filament within a sealed quartz tube.
- Porcelain end caps.
- Instantaneous heat-up & cool-down.

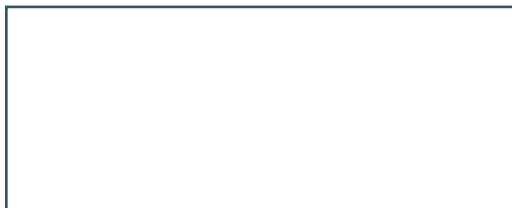
APPROVALS

- ETL Listed for indoor and outdoor applications.
- Commercial/Industrial Approval.
- CSA 22.2 #46 - M1988
- UL 2021 - Edition 3

AVAILABLE MW MODELS

MODEL NUMBER		LAMP QTY.	VOLTS	TOTAL WATTAGE	BTU'S	AMPS	SHIP WEIGHT (LBS.)	TYPICAL MOUNTING HEIGHTS ¹	DIMENSIONS (IN.)		
BLACK POWDER COAT HOUSING	STAINLESS STEEL HOUSING								HEIGHT	LENGTH	WIDTH
MW-24B1-A07	MW-24S1-A07	1	120	750	2,559	6.25	15	7 to 9 ft	10.5	24	9.25
MW-24B1-B07	MW-24S1-B07		208								
MW-24B1-C07	MW-24S1-C07		240								
MW-33B1-A12	MW-33S1-A12	1	120	1,250	4,265	10.4	19	7 to 9 ft	10.5	33	9.25
MW-33B1-B12	MW-33S1-B12		208								
MW-33B1-C12	MW-33S1-C12		240								
MW-46B1-A20 ²	MW-46S1-A20 ²	1	120	2,000	6,824	16.6	24	8 to 10 ft	10.5	46	9.25
MW-46B1-B20 ²	MW-46S1-B20 ²		208								
MW-46B1-C20 ²	MW-46S1-C20 ²		240								
MW-46B1-G20 ²	MW-46S1-G20 ²		480								
MW-46B1-H30 ²	MW-46S1-H30 ²	575	3,000	10,236	5.2	24	8 to 10 ft	10.5	46	9.25	
MW-24B2-A07	MW-24S2-A07	2	120	1,500	5,118	12.5	20	7 to 9 ft	10.5	24	15.0
MW-24B2-B07	MW-24S2-B07		208								
MW-24B2-C07	MW-24S2-C07		240								
MW-33B2-A12	MW-33S2-A12	2	120	2,500	8,530	20.8	26	8 to 10 ft	10.5	33	15.0
MW-33B2-B12	MW-33S2-B12		208								
MW-33B2-C12	MW-33S2-C12		240								
MW-46B2-B20 ²	MW-46S2-B20 ²	2	208	4,000	13,649	19.2	32	10 to 14 ft	10.5	46	15.0
MW-46B2-C20 ²	MW-46S2-C20 ²		240								
MW-46B2-G20 ²	MW-46S2-G20 ²		480								
MW-46B2-H30 ²	MW-46S2-H30 ²		575								
MW-24B3-A07	MW-24S3-A07	3	120	2,250	7,677	18.7	25	8 to 10 ft	10.5	24	20.75
MW-24B3-B07	MW-24S3-B07		208								
MW-24B3-C07	MW-24S3-C07		240								
MW-33B3-A12 ²	MW-33S3-A12 ²	3	120	3,750	12,796	27.0	32	8 to 10 ft	10.5	33	20.75
MW-33B3-B12 ²	MW-33S3-B12 ²		208								
MW-33B3-C12 ²	MW-33S3-C12 ²		240								
MW-46B3-B20 ²	MW-46S3-B20 ²	3	208	6,000	20,473	28.8	40	10 to 15 ft	10.5	46	20.75
MW-46B3-C20 ²	MW-46S3-C20 ²		240								
MW-46B3-G20 ²	MW-46S3-G20 ²		480								
MW-46B3-H30 ²	MW-46S3-H30 ²		575								
			575	9,000	30,709	15.6	40	10 to 15 ft	10.5	46	20.75

DISTRIBUTED BY:



¹Mounting heights are recommended and provided as a guideline only. Actual conditions, such as outdoor or spot heating, may dictate variations from the above data. Always maintain the published clearances to combustibles as labeled on the heater. Place signs where necessary in accordance with ANSI/NFPA Standards.

²Ships truckline only.