

# MW SERIES MEDIUM WAVE

## SUBMITTAL DATA ELECTRIC INFRARED SPACE HEATERS

SUBMITTED BY: \_\_\_\_\_ DATE: \_\_\_\_\_

JOB TITLE: \_\_\_\_\_ CONTRACTOR: \_\_\_\_\_

ADDRESS: \_\_\_\_\_ PHONE #: \_\_\_\_\_

CITY: \_\_\_\_\_ ADDRESS: \_\_\_\_\_

STATE: \_\_\_\_\_ ZIP: \_\_\_\_\_ CITY: \_\_\_\_\_

STATE: \_\_\_\_\_ ZIP: \_\_\_\_\_

ENGINEER: \_\_\_\_\_ PHONE: \_\_\_\_\_

LOCAL REPRESENTATIVE: \_\_\_\_\_ PHONE: \_\_\_\_\_

Qty.	Model Number*		Tag	Lamp Qty.	Volts	Total Wattage	BTU'S	Amps	Overall Unit Length	Ship Weight
	Black Powder Coat Housing	Stainless Steel Housing								
	MW-24B1-A07	MW-24S1-A07		1	120	750	2,559	6.25	24 in.	15 lbs.
	MW-24B1-B07	MW-24S1-B07			208			3.6		
	MW-24B1-C07	MW-24S1-C07			240			3.1		
	MW-33B1-A12	MW-33S1-A12			120	1,250	4,265	10.4	33 in.	19 lbs.
	MW-33B1-B12	MW-33S1-B12			208			6.0		
	MW-33B1-C12	MW-33S1-C12			240			5.2		
	MW-46B1-A20†	MW-46S1-A20†			120	2,000	6,824	16.6	46 in.	24 lbs.
	MW-46B1-B20†	MW-46S1-B20†			208			9.6		
	MW-46B1-C20†	MW-46S1-C20†			240			8.3		
	MW-46B1-G20†	MW-46S1-G20†			480			4.2		
	MW-46B1-H30†	MW-46S1-H30†		575	3,000	10,236	5.2	46 in.	24 lbs.	
	MW-24B2-A07	MW-24S2-A07		2	120	1,500	5,118	12.5	24 in.	20 lbs.
	MW-24B2-B07	MW-24S2-B07			208			7.2		
	MW-24B2-C07	MW-24S2-C07			240			6.2		
	MW-33B2-A12	MW-33S2-A12			120	2,500	8,530	20.8	33 in.	26 lbs.
	MW-33B2-B12	MW-33S2-B12			208			12.0		
	MW-33B2-C12	MW-33S2-C12			240			10.4		
	MW-46B2-B20†	MW-46S2-B20†			208	4,000	13,649	19.2	46 in.	32 lbs.
	MW-46B2-C20†	MW-46S2-C20†			240			16.6		
	MW-46B2-G20†	MW-46S2-G20†			480			8.3		
	MW-46B2-H30†	MW-46S2-H30†			575			10.4		
	MW-24B3-A07	MW-24S3-A07		3	120	2,250	7,677	18.7	24 in.	25 lbs.
	MW-24B3-B07	MW-24S3-B07			208			10.8		
	MW-24B3-C07	MW-24S3-C07			240			9.3		
	MW-33B3-A12†	MW-33S3-A12†			120	3,750	12,796	27.0	33 in.	32 lbs.
	MW-33B3-B12†	MW-33S3-B12†			208			15.6		
	MW-33B3-C12†	MW-33S3-C12†			240			13.5		
	MW-46B3-B20†	MW-46S3-B20†			208	6,000	20,473	28.8	46 in.	40 lbs.
	MW-46B3-C20†	MW-46S3-C20†			240			25.0		
	MW-46B3-G20†	MW-46S3-G20†			480			12.5		
	MW-46B3-H30†	MW-46S3-H30†			575			15.6		

† Ships truckline only.

**DETROIT RADIANT PRODUCTS CO.**



21400 Hoover Rd.  
Warren, MI 48089-3162

Phone: (586) 756-0950  
Fax: (586) 756-2626  
Email: sales@irpatio.com  
Website: www.irpatio.com

## HEATER CONSTRUCTION (Choose)

- Black powder-coat aluminized steel housing.
- 304 brushed stainless steel housing for added durability and corrosion resistance.

## LAMP ELEMENTS

- Coiled tungsten filament housed within a sealed quartz tubing.
- Grade G-3 Glass-Melamine Laminate end caps.
- Instantaneous heat-up & cool-down.
- Clear quartz.

## CONTROLS

- Field supplied.

## ELECTRICAL SUPPLY

- Voltages from 120 to 575 VAC.
- Single-phase or three-phase.
- 750 to 3,000W per element.

## REFLECTORS

- Gold colored, anodized aluminum reflectors reduces visible light glare.
- Wide, symmetric design.

## APPROVALS

- ETL Listed for indoor and outdoor applications.
- Commercial/Industrial Approval.
- CSA 22.2 #46 - M1988.
- UL 2021, 1997.

## MOUNTING

- 0° to 45° adjustable brackets.

## LIMITED WARRANTY

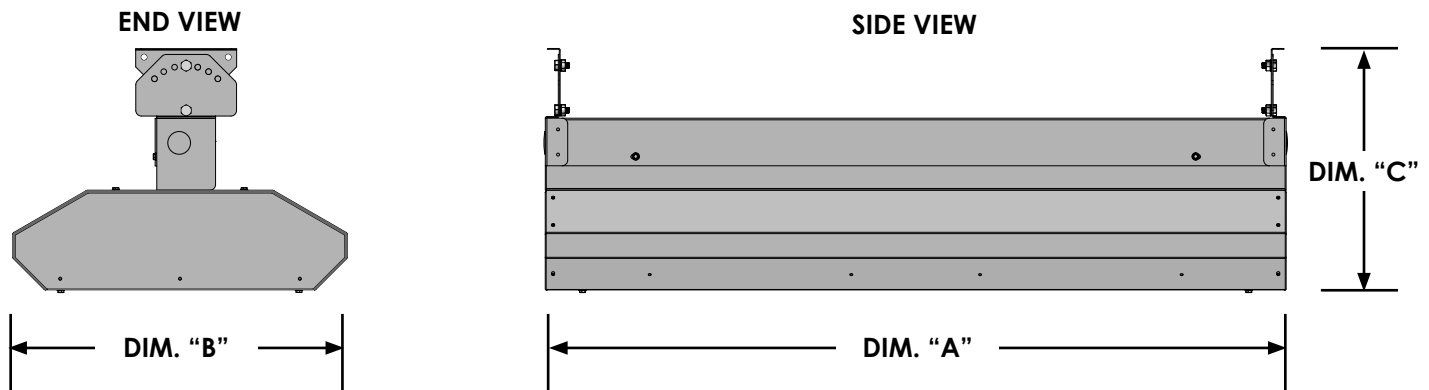
- All components - 1 year.
- Please contact the factory for further information on the terms and conditions.

## WWW.REVERBERRY.COM

- Product literature.
- Aftermarket parts support.
- Representative locator.
- C.A.D. design library.
- Troubleshooting guide.

# FIELD DATA

## DIMENSIONAL INFORMATION



MODEL NUMBER	LAMP QTY.	DIM A INCHES (MM)	DIM B INCHES (MM)	DIM C INCHES (MM)
MW-24	1	24.00 (610)	9.25 (235)	10.5 (267)
	2		15.00 (381)	
	3		20.75 (527)	
MW-33	1	33.00 (838)	9.25 (235)	10.5 (267)
	2		15.00 (381)	
	3		20.75 (527)	
MW-46	1	46.00 (1169)	9.25 (235)	10.5 (267)
	2		15.00 (381)	
	3		20.75 (527)	

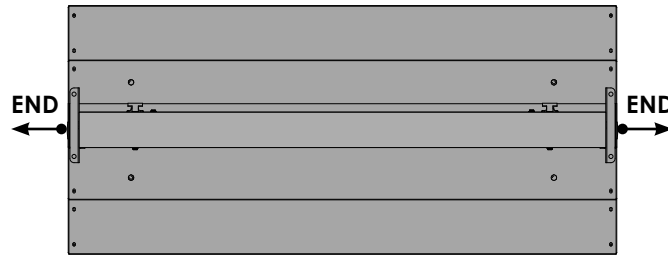
# OPTIONAL ACCESSORIES

QTY.	PART NO.	DESCRIPTION	NOTES

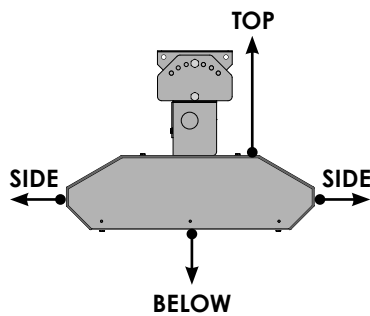
# CLEARANCES TO COMBUSTIBLES (IN.)

WATTAGE RANGE	MOUNTING ANGLE	SIDE		END	TOP	BELOW
		FRONT	BEHIND <sup>1</sup>			
750 to 1,600	0°	24	24	24	6	40
	45°	40	24	24	10	40
2,000 to 2,500	0°	24	24	24	6	46
	45°	46	24	24	10	46
3,000 to 3,200	0°	24	24	24	6	56
	45°	56	24	24	10	56
3,650 to 3,800	0°	24	24	24	6	62
	45°	62	24	24	10	62
4,000 to 4,800	0°	24	24	24	6	72
	45°	72	24	24	10	72
5,000 to 7,600	0°	24	24	24	6	84
	45°	84	24	24	10	84
9,000 to 11,400	0°	24	24	24	6	96
	45°	96	24	24	10	96

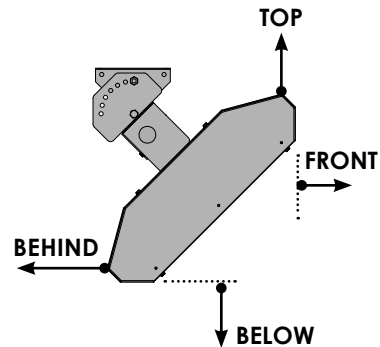
<sup>1</sup>The BEHIND clearance must maintain a minimum of 36 inches from another heater.



TOP VIEW



END VIEW 0°



END VIEW 1° to 45°

# WRITTEN SPECIFICATIONS

## MW SERIES INFRARED HEATER PARAMETER/SPECIFICATIONS

- Medium wave electric infrared heaters shall be furnished and installed in accordance with governing codes and as shown per drawing(s) provided. Medium wave electric heaters shall be **RE-VERBER-RAY MW SERIES**, as manufactured by Detroit Radiant Products Company, Warren, MI 48089.
- Medium wave infrared heaters shall be Designed Certified by ETL and bear the ETL Seal of Certification for the United States and Canada.
- The supplier shall provide manufacturer's published warranty covering all components utilized in the heater control assembly for a period of one (1) year.
- The supplier shall furnish the owner/contractor with \_\_\_\_ copies of the engineering specification form, showing physical dimensions, installation detail, recommendations, wiring diagrams, and spare parts list.
- An Installation, Operation, Maintenance and Parts Manual (IOPM) shall be supplied with each heater.
- The manufacturer shall have a minimum of 50 years of manufacturing experience producing infrared heaters.
- Medium wave infrared heaters must be ETL Listed to operate at the designated rating of \_\_\_\_\_kW/h.
- Electric medium wave infrared space heaters shall be supplied and installed in accordance with the manufacturers certified installation instructions and governing codes, as shown per building drawing(s) \_\_\_\_\_. Heaters shall be MW Series, model numbers, input ranges in Watts.

## MW SERIES INFRARED HEATER CONTROLS

- Field supply applicable controls.
- Heaters shall operate in given voltages:

<u>Volt</u>	<u>Phase</u>	<u>Hertz</u>
120V	1ph	50/60
208V	1ph or 3ph	50/60
240V	1ph or 3ph	50/60
480V	1ph or 3ph	50/60
575V	1ph or 3ph	50/60

- Heaters shall operate in given wattage inputs of 750 to 9,000.

## MW SERIES INFRARED HEATER CONSTRUCTION

- The heater housing shall be constructed of either black powder-coated aluminized steel or 304 brushed stainless steel.
- The heater reflector shall have a multi-faceted design and be constructed of gold colored, anodized aluminum for the purpose of reducing visible light glare.
- The emitter tubing shall be argon filled evacuated blown quartz with high temperature Grade G-3 Glass-Melamine Laminate end caps.
- The quartz tubing shall be opaque in color allowing maximum radiant heat transfer.
- The optional protective grill to be bright zinc coated.
- Optional factory supplied mounting brackets shall accommodate for sidewall or ceiling mounting.