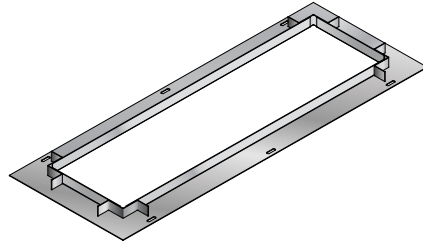


# Electric Heater Parts Instruction Sheet

## Recessed Mounting Frame (ELx-FRxx) Installation Instructions

### Kit Contents:

- (1) Recessed Mounting Frame
- #8 x 3/4" Self-Drilling Screws
  - (6) on 1 & 2 lamp models
  - (8) on 3 lamp models



**ELx-FRxx**  
Recessed Mounting Frame

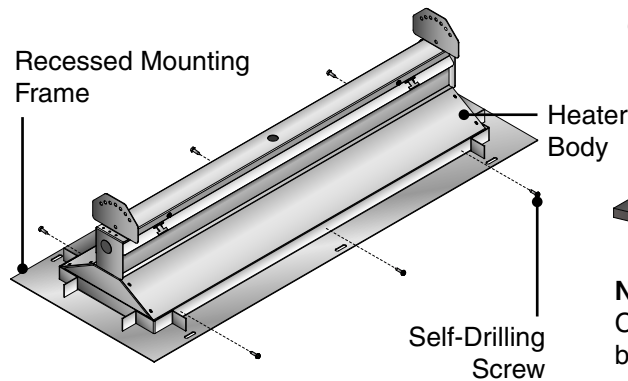


#8 x 3/4"  
Self-Drilling Screw

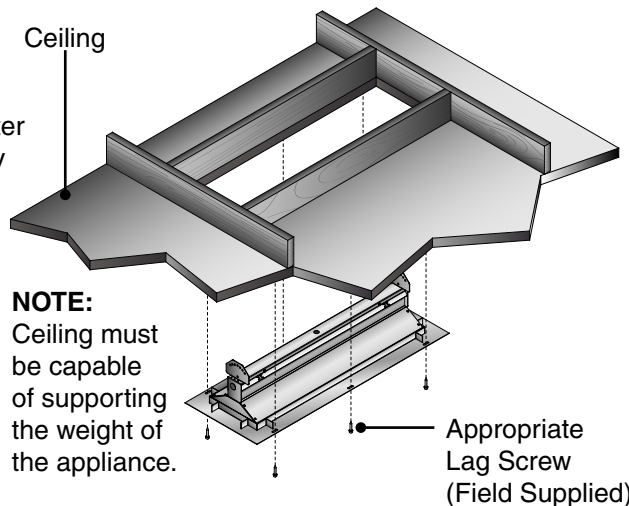
### Installation Instructions:

- 1 Cut appropriate sized hole in ceiling as indicated for the series heater being mounted. (Refer to Chart 1).
- 2 To ensure a proper fit, insert frame into hole to see if any adjustments are required.
- 3 Slide frame around the body of the heater. Secure frame to heater using provided self-drilling screws (see Figure 1).
- 4 Lift the assembled unit into the ceiling and secure with appropriate lag screws (field supplied) (see Figure 2).

**Figure 1 • Attach Frame to Heater**



**Figure 2 • Insert Into Ceiling**

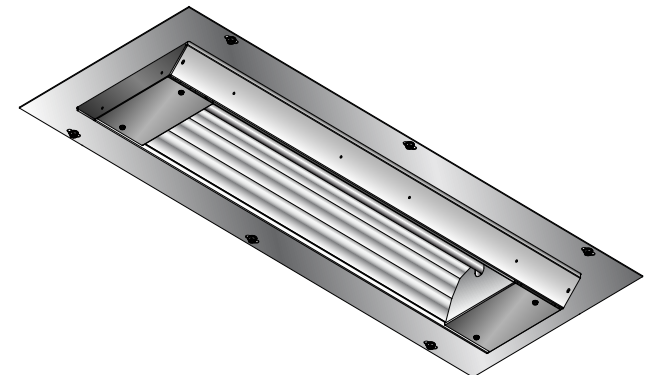


WARNING	
	<b>DO NOT</b> cover the appliance with insulation, or any other material after installation. This may cause the unit to overheat, resulting in a fire, personal injury, or death. Always maintain clearance to combustibles.

**Chart 1 • Dimensions for Ceiling Cut-Out**

Series	Lamp Qty.	Hole Dim. (L x W)
SW-24	1	27" x 12 1/8"
	2	27" x 17 7/8"
	3	27" x 23 5/8"
SW-33	1	36" x 12 1/8"
	2	36" x 17 7/8"
	3	36" x 23 5/8"
SW-46	1	49" x 12 1/8"
	2	49" x 17 7/8"
	3	49" x 23 5/8"

**Figure 3 • Recessed Mount • Assembled**



# *Electric Heater Parts Instruction Sheet*

## *Recessed Mounting Frame (ELx-FRxx) Installation Instructions*

**Figure 4** • End View 0° With Recessed Mounting Frame

